



GNSS ANTENNA

GrAnt-G5T-Lb

GrAnt-G5T-Lb-i



GrAnt-G5T-Lb/ GrAnt-G5T-Lb-i is a versatile, high-performance antenna. It can be mounted on flat surfaces with four screws or mounted on standard poles (5/8-11 or 1-14 inches thread). The antenna cable can be connected via the standard TNC (N-type optional) connector on its side or routed through the center of the antenna for ultimate protection in harsh environments.

GrAnt-G5T-Lb can track GPS, GLONASS, Galileo, BeiDou, WAAS, EGNOS, MSAS, GAGAN, QZSS, and L-band signals.

GrAnt-G5T-Lb-i can track GPS, GLONASS, Galileo, BeiDou, WAAS, EGNOS, MSAS, GAGAN, QZSS, L-band, and IRNSS signals.

An optional ground plane can be purchased to increase multipath mitigation.

DATA SHEET

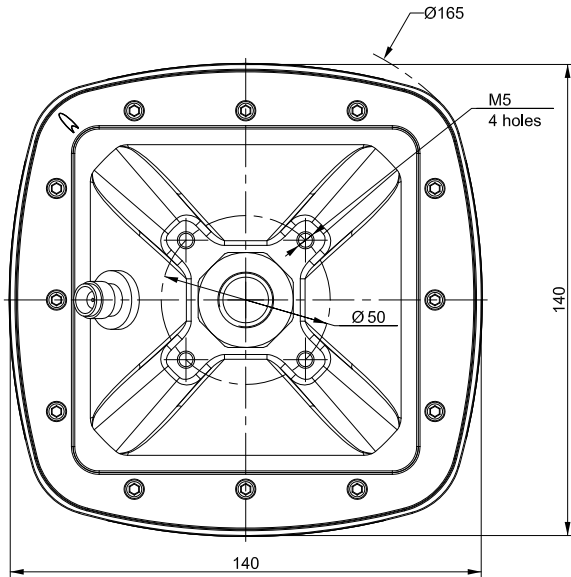
VERSION 1.1 JULY 27, 2021

GrAnt-G5T-Lb/ GrAnt-G5T-Lb-i

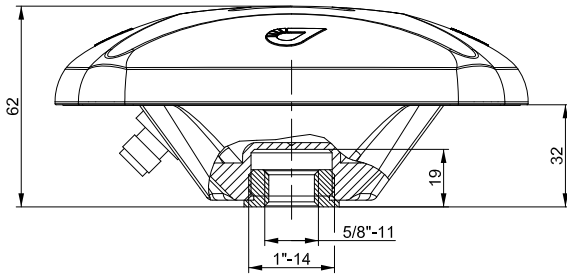
SIGNAL	GrAnt-G5T-Lb	GrAnt-G5T-Lb-i
Capability	GPS L1/L2/L2C/L5, GLONASS L1/L2/L3, GALILEO E1/E2/E5ab/E6, BEIDOU B1/B2/B3, WAAS L1/L5, EGNOS, MSAS, GAGAN, QZSS L1/L2/L2C/L5/LEX L-band	PS L1/L2/L2C/L5, GLONASS L1/L2/L3, GALILEO E1/E2/E5ab/E6, BEIDOU B1/B2/B3, WAAS L1/L5, EGNOS, MSAS, GAGAN, QZSS L1/L2/L2C/L5/LEX L-band , S-band
Frequency. MHz	1525~1614 1164~1300	1525~1614 1164~1300 2483.5-2500
ELECTRICAL		
Antenna Gain, dB (typ.)	4.0 (1525~1540 MHz) 5.0 (1551~1614 MHz) 4.0 (1164~1300 MHz)	4.0 (1525~1540 MHz) 5.0 (1551~1614 MHz) 4.0 (1164~1300 MHz) 5.0 (2483.5-2500 MHz)
Axial Ratio, dB (max.)	3.0	
Output Impedance, Ohm	50	
VSWR, max.	2.0:1	
LNA gain, dB	32±2, 40±2 (optional)	32±2
Noise Figure, dB (typ.)	1.7	1.7 (1525~1540 MHz) 1.7 (1164~1300 MHz) 2.3 (2483.5-2500 MHz)
DC voltage, VDC	3.0~15.0	
Current, mA (typ.) @ 5V	45 52 (40 dB LNA gain)	90
Power consumption, W (max)	0.68 0.78 (40 dB LNA gain)	1.3
ENVIRONMENTAL		
Operating Temperature, °C	-45 ~ +85	
Storage Temperature, °C	-50 ~ +85	
Humidity	Waterproof, 100% non-condensing, IP68	
MECHANICAL		
Antenna type	Microstrip	
Connector	TNC; N-type (optional). The tightening torque for the coaxial connector nuts that secure the RF cable to the TNC type of RF connector must be 4.1 - 6.1 in-lbs (0.46 - 0.69 NM)	
Weight, g	515	
Dimensions, mm	140 x 140 x 62	
Enclosure	Radome: ABS, Base: Aluminum	
Vibration	MIL-STD-810H Method 514.8 Procedure I, Category 4	
Shock	MIL-STD-810H Method 516.8 Functional Procedure I	
Color	Green	
Mounting	5/8-11 or 1-14 inches mount, or 4 holes M5	

GrAnt-G5T-Lb/ GrAnt-G5T-Lb-i

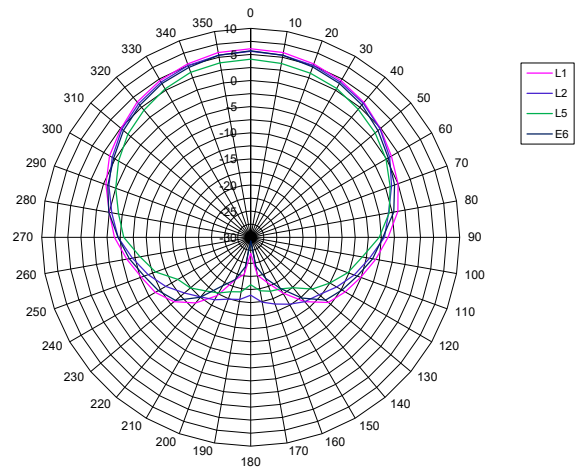
Dimensions



* All dimensions are in mm



Radiation Pattern



Illustrations, descriptions and technical specifications are not binding and may change.



900 Rock Avenue
San Jose
CA 95131, USA

+1(408)770-1770
sales@javad.com
www.javad.com