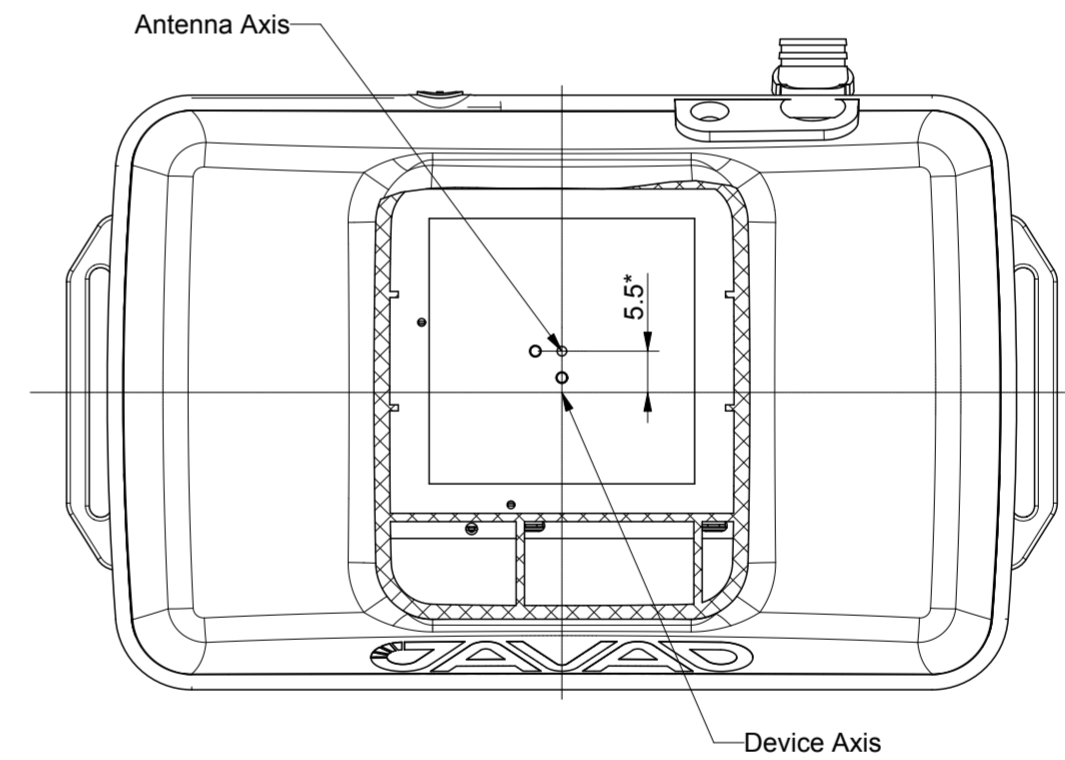
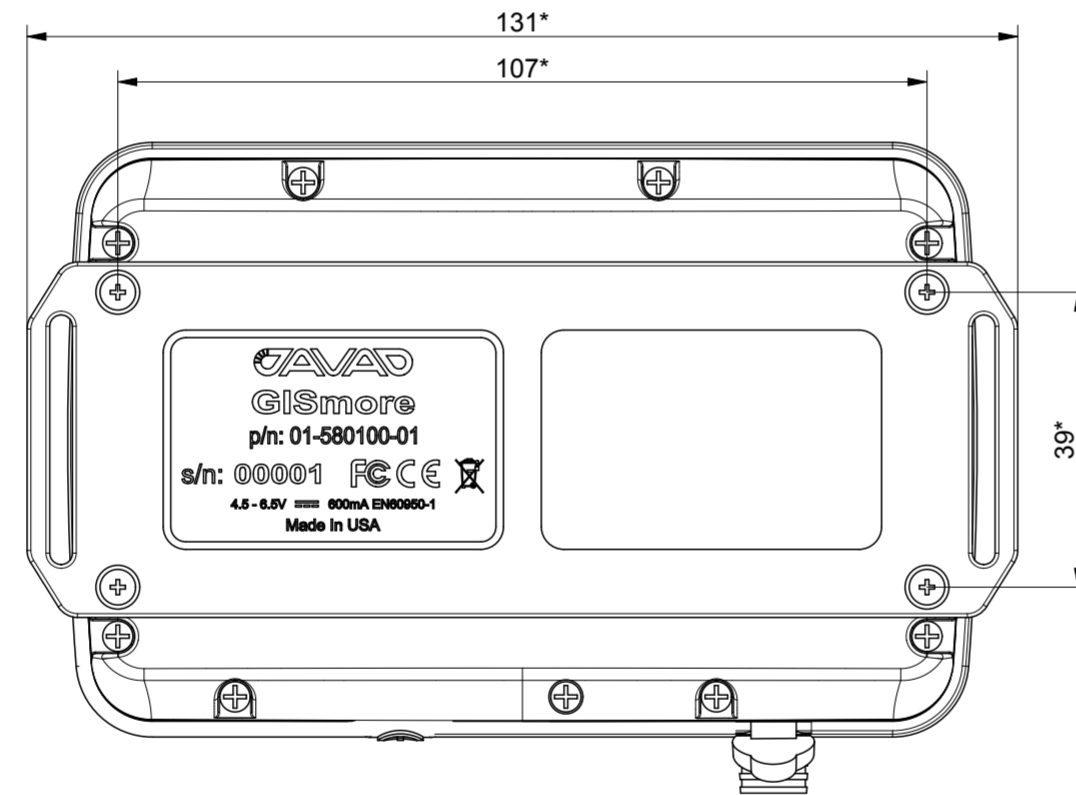
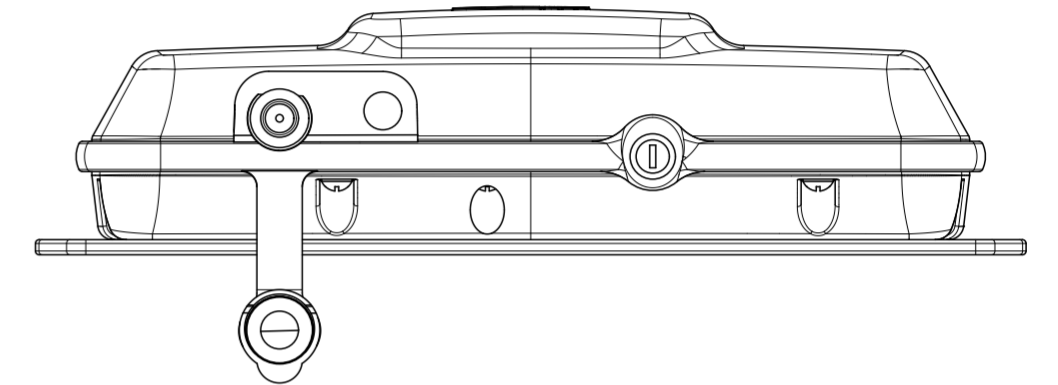
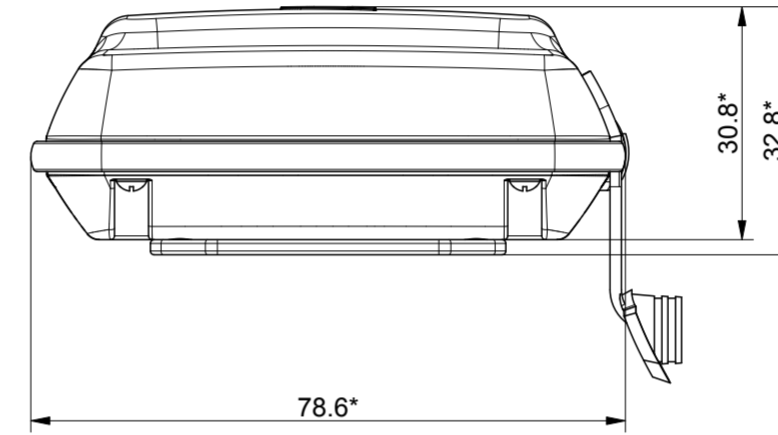
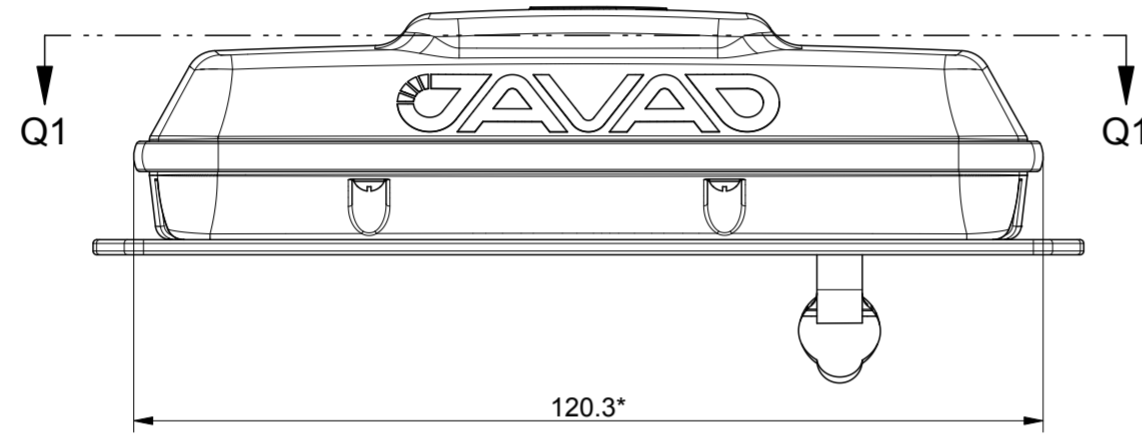
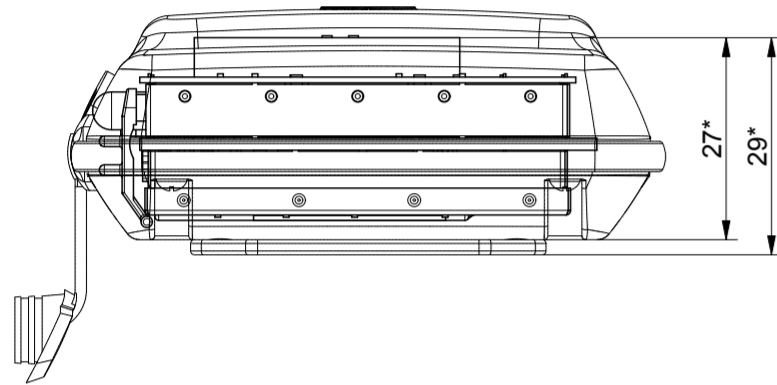
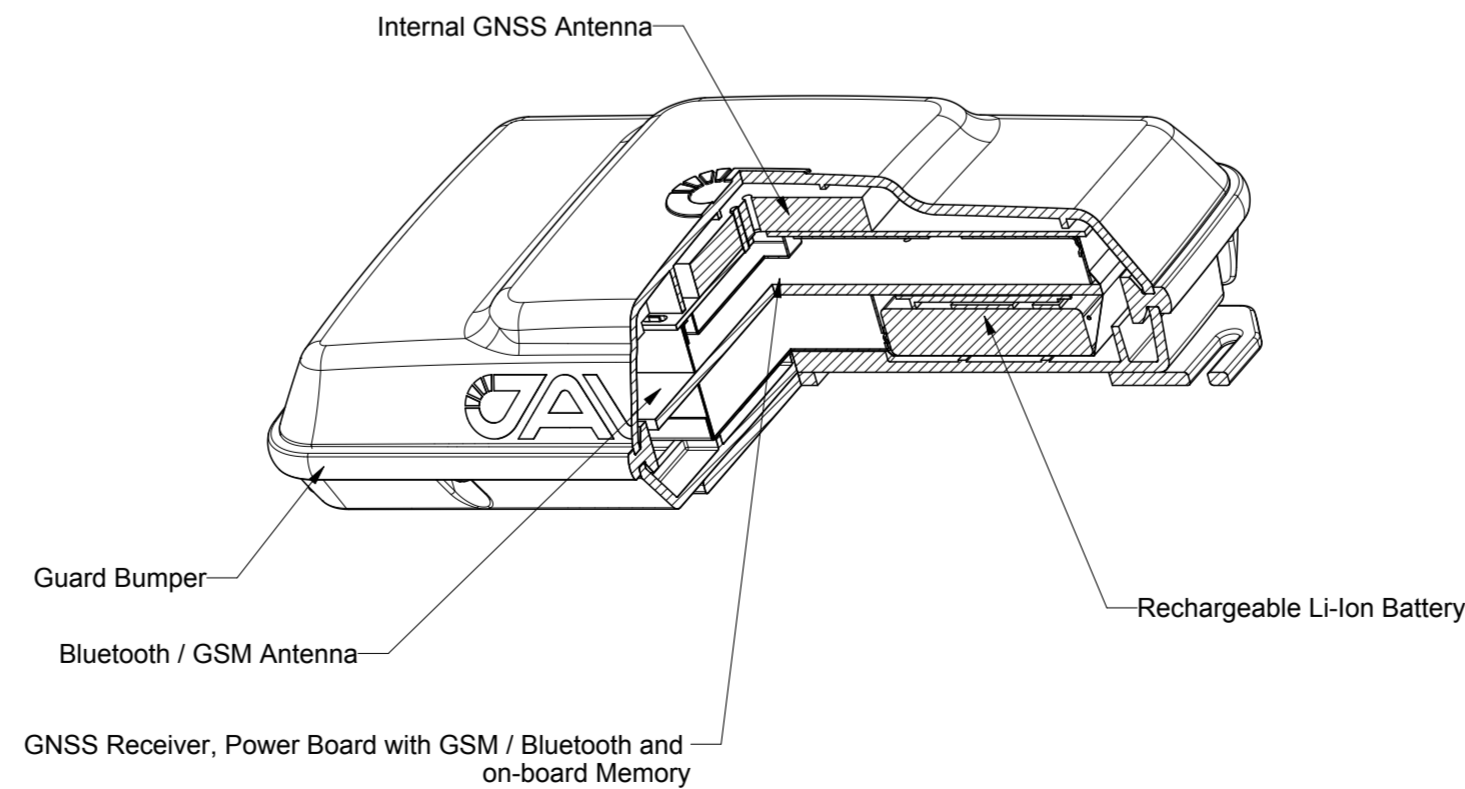
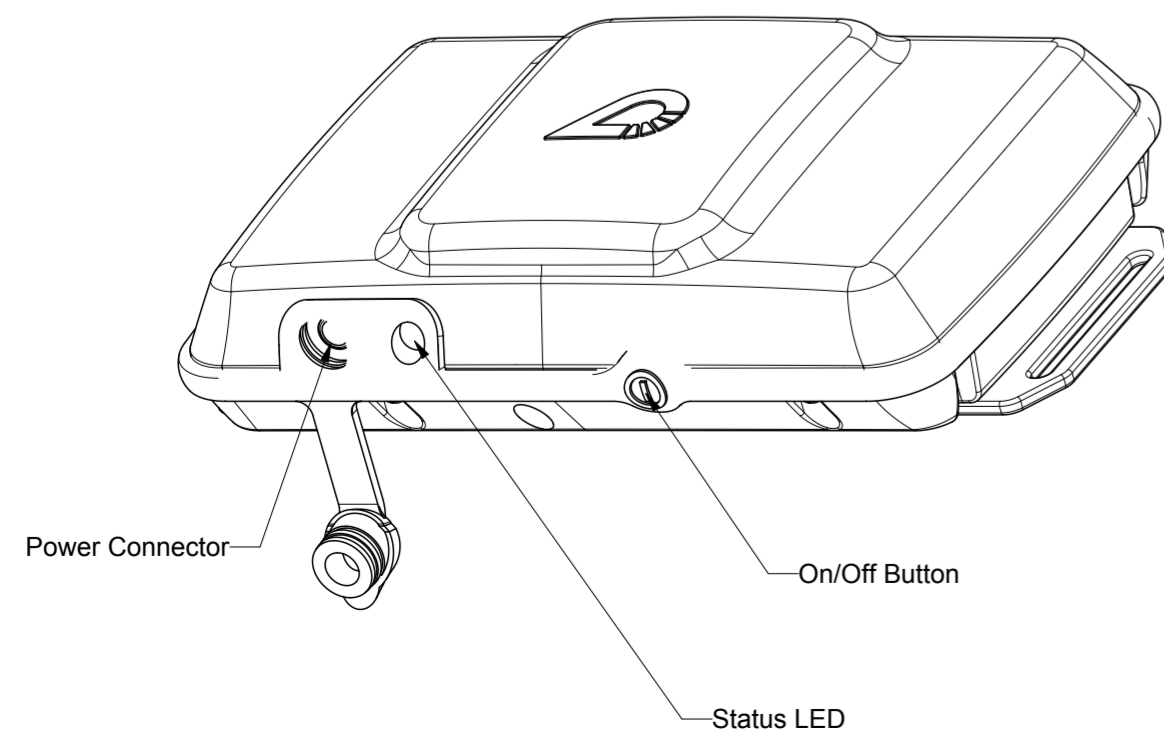


Case parts are transparent



SECTION Q1-Q1



Notes:
 1. * REFERENCES DIMENSION.
 2. Approximated assembly weight is 0.210 kg (TBD)