



ANTENNA

# Beacon



This antenna is designed to help maintain tracking of Beacon signals in challenging environments.

The antenna is designed for use with JAVAD Beacon receivers.

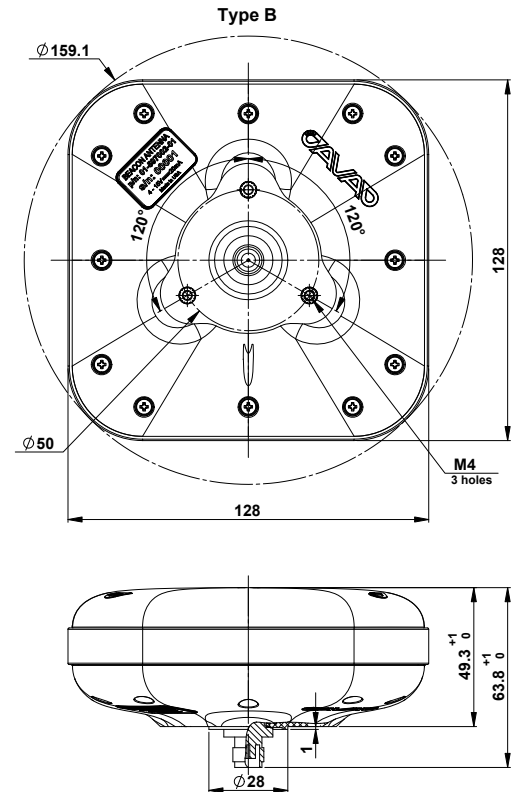
**DATA SHEET**

VERSION 1.1 MAY 7, 2021

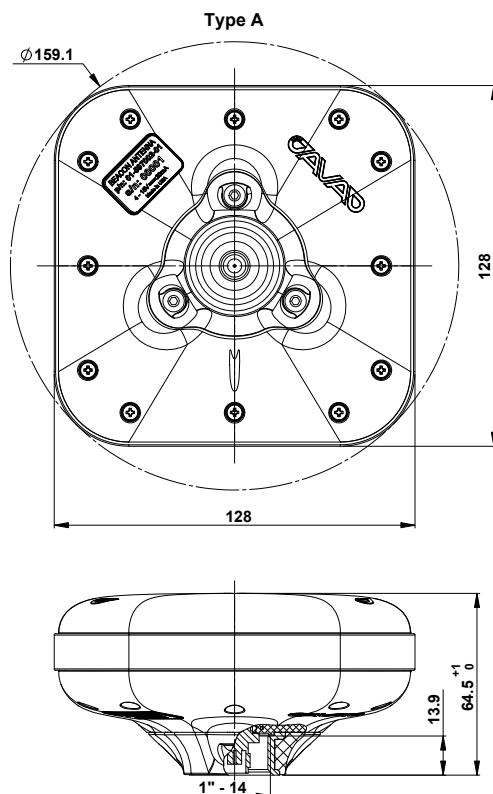
# Beacon Antenna

## Main Characteristics

<b>BEACON SENSOR</b>	
Beacon Frequency	283.5 - 325 KHz
Beacon LNA Gain	20 dB
<b>POWER</b>	
Input Voltage	4 to 15 VDC
Input Current	10 - 15 mA
<b>MECHANICAL</b>	
Enclosure	Radome: ABS; Base: ABS
Enclosure Rating	IP69K
Mount	1-14 inches mount (Type A) 3 holes M5 (Type B)
RF Connector	TNC
Color	JAVAD GNSS Green
<b>ENVIRONMENTAL</b>	
Operating Temperature	-22 °F to 158 °F (-30°C to +70°C)
Storage Temperature	-40 °F to 185 °F (-40°C to +85°C)
Humidity	96% non-condensing
Dimensions	0.42x0.42x0.21 / 0.2 in (128x128x64.5 / 63.8mm)



## Dimensions



900 Rock Avenue  
San Jose  
CA 95131, USA

+1(408)770-1770  
sales@javad.com  
www.javad.com