



AirAnt-G3-JS

The AirAnt-G3-JS antenna is designed to be mounted on aircraft* and applications where low profile and aerodynamic shape are desired. The sophisticated interference signal rejection and capability to track GPS, GLONASS, GALILEO, WAAS, EGNOS, MSAS, GAGAN and QZSS signals make this antenna useful for wide range of applications.

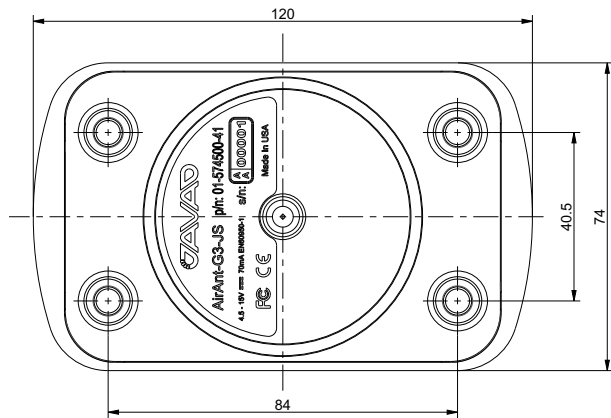
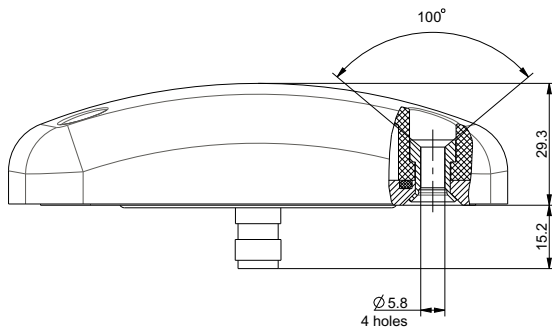
AirAnt-G3-JS's lightweight yet rugged design combined with low power consumption make it an ideal antenna for almost any environment.

This antenna is equipped with J-Shield. It allows complete, undisturbed L1 signals in and defends against any other signals outside this band. The filter drops down quickly, at the rate of 12 dB/MHz outside the GNSS band.

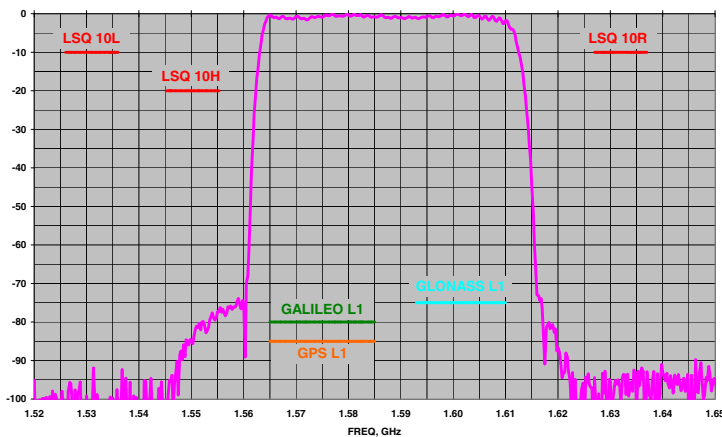
* AirAnt is not FAA (U.S. Federal Aviation Administration) certified yet and cannot be used in commercial aircraft or any application where FAA certification is required.

AIRANT-G3-JS

Signal	
Capability	GPS L1 GLONASS L1 GALILEO E1 WAAS L1, EGNOS, MSAS, GAGAN, QZSS L1
Frequency	1565~1610MHz
Electrical	
Antenna Gain	1565~1610MHz – 4.0 dB typ.
Axial Ratio	3.0 dB max.
Output Impedance	50 Ohm
VSWR	2.0 : 1
LNA gain	30±3 dB
Noise Figure	1565~1610MHz – 4.0 dB max
DC voltage	4.5~15.0VDC 70mA@5.0V typ.
Environmental	
Operating Temperature	-45°C ~ +85°C
Storage Temperature	-50°C ~ +85°C
Humidity	Waterproof
Mechanical	
Antenna type	Microstrip
Connector	TNC
Weight	260 g
Dimensions	120 mm x 74 mm x 44.5 mm
Enclosure	Radome: GE PEI+40%GF Base: Aluminum
Color	White
Mounting	4 holes



* All dimensions are in mm



The figure shows the frequency response of J-Shield filter for L1.

Specifications are subject to change without notice.



JAVAD GNSS
www.javad.com
 Rev. 1.3 February 21, 2013

