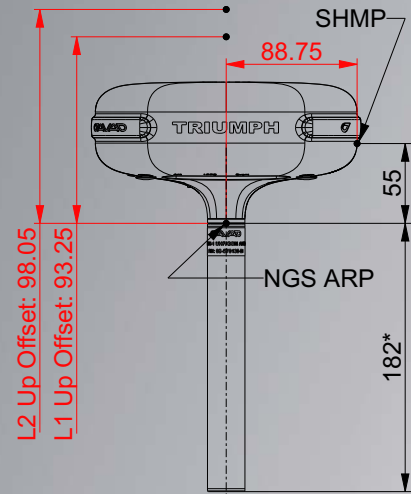


# TRIUMPH-1



1. All dimensions are in mm
2. \* Reference dimension
3. ARP - Antenna Reference Point  
SHMP - Slant Height Measurement Point



## Download

- TRIUMPH-1 Operators Manual
- Latest firmware version
- USB driver
- NGS Information

<http://www.javad.com/gnss/products/receivers/triumph-1.html>

# JAVAD

900 Rock Avenue, San Jose, CA 95131 USA  
Phone: +1(408)770-1770 Fax: +1(408)770-1799  
[www.javad.com](http://www.javad.com)

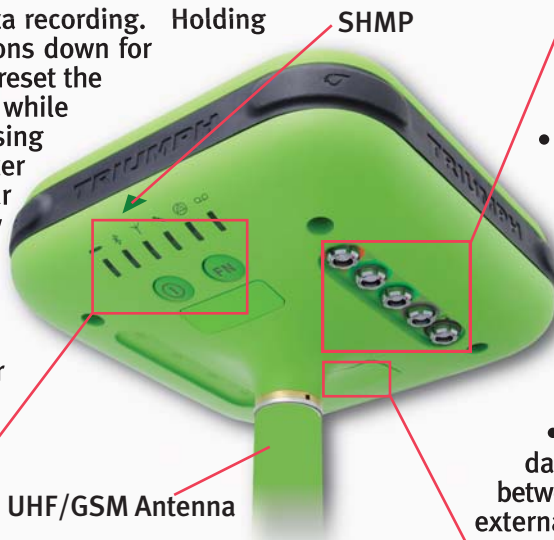
Copyright © JAVAD GNSS, Inc., 2010

# TRIUMPH-1

## MinPad

TRIUMPH-1 is very simple to operate. Turn it on and six green lights, one after the other, glow to tell you that all is going well.

The ON/OFF button turns the receiver on and off. FN button starts/stops data recording. Holding both FN and ON/OFF buttons down for more than 30 seconds will reset the receiver. Holding FN down while turning receiver ON using ON/OFF button (or after resetting receiver) until four LEDs start to blink yellow and then releasing FN button while four LEDs still blink yellow will bring receiver to its initial factory-default state (i.e., will clear NVRAM).



## Connectors

Communication with TRIUMPH-1 is easy. In addition to two serial ports (A and B) and a USB, TRIUMPH-1 also has Ethernet connectivity.



- Power – used to connect the receiver to an external power source.
- Serial – used for communication between the receiver and an external device.
- Ethernet - used to connect the receiver to local network.
- USB – used for high-speed data transfer and communication between the receiver and an external device.

Function	Symbol	Green	Yellow	Red	OFF
BATTERY <sup>1</sup>		Full	Half	Almost Empty	OFF/No power
BLUETOOTH		Connected	Searching	No connection	Not Active
MODEM		Connected	Marginal Connectivity	No connection	Not Active
SATELLITES <sup>2</sup>		8 or more	5 to 7	Less than 5	No Satellite
POSITION		Fixed/Diff/OK (Base)	Float/No-Diff	No Position	Receiver OFF
RECORDING <sup>3</sup>		Recording	Less than 10 min memory left	Memory Full	Not Active

1. LED solid according to the battery means receiver is ON without external power. Blinking every 1 sec according to the battery means external power is connected.

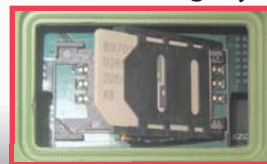
2. Effective number of satellites are total number of satellites tracked minus the number of non-GPS systems tracked. For example if 8 GPS and 5 GLONASS are tracked the effective number of satellites is 12.

3. RECORDING LED blinks on each recording.

## SIM Card Slot

To install the SIM card:

- Ensure the receiver is turned off.
- Open the small SIM card door.
- Open the SIM card holder.
- Carefully insert the SIM card into the SIM card holder and push them to LOCK to close it tightly.



## Quick Start Guide