



TRIUMPH-1M

GNSS RECEIVER

Quick Start Guide

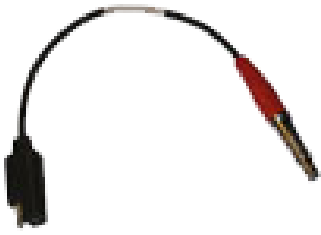


VERSION 1.0

LAST REVISED MAY 30, 2019

All contents in this manual are copyrighted by JAVAD GNSS.
All rights reserved. The information contained herein may not be used, accessed, copied, stored, displayed, sold, modified, published, or distributed, or otherwise reproduced without express written consent from JAVAD GNSS.

Accessories



Power Cable, ODU-5/SAE
(0.3m/ 0.98 ft)
p/n 14-578101-01



SAE-to-SAE cable extension
(1.8 m/6 ft)
p/n 14-578102-01



Accessory Ext.
Power Supply/Charger
60W C14/SAE
p/n 22-570101-02



AC Power Cable, 3c,
C13/C14, SVT
(1.8 m/6 ft)
p/n 14-578153-01



Data-Ser Cable, ODU-7/DB9
(1.8 m/6 ft)
p/n 14-578103-01



USB Cable to ODU-5
(1.8 m/6 ft)
p/n 14-578104-01



Tweezers Straight Spade Tip,
Smooth, 4-1/2inch, SS
p/n 34-000004-01



UHF/GSM Antenna
p/n 02-570130-03

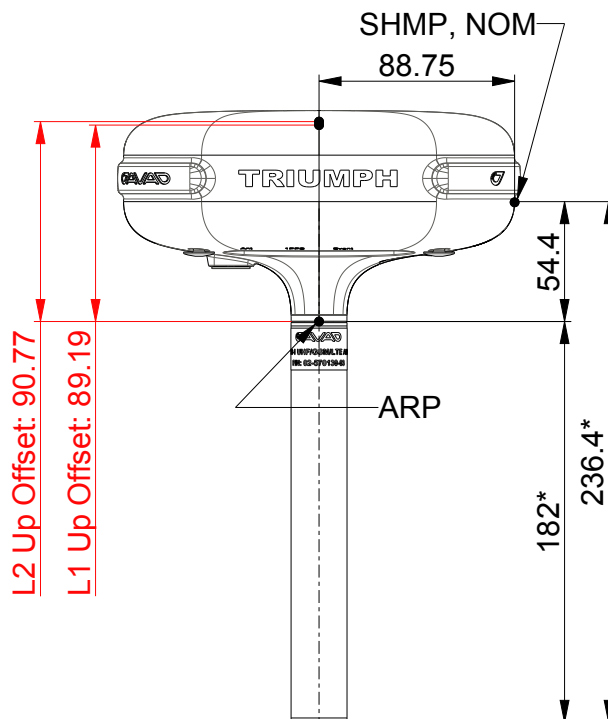
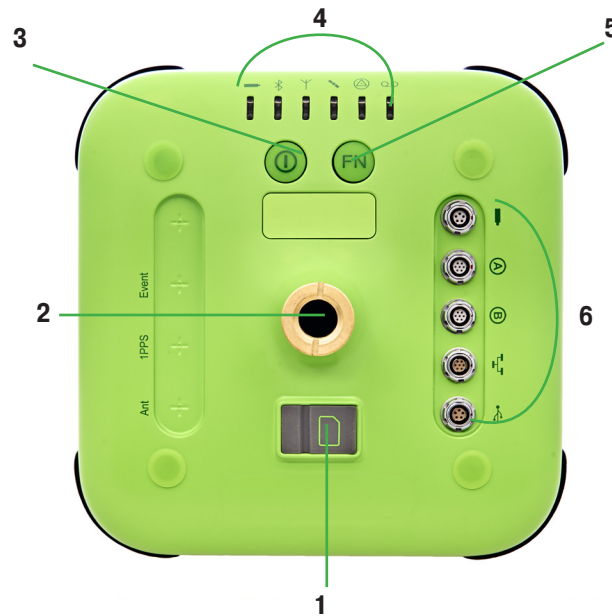


AC Power Adapter, 3c,
C13/ NEMA 5-15P
p/n 23-590029-xx

Features

Communication with TRIUMPH-1M is easy. In addition to two serial ports (A and B) and a USB, TRIUMPH-1M also has Ethernet connectivity.

1. SIM-card slot
2. Mounting
3. On/Off button
4. LEDs
5. FN button
6. Connectors



1. All dimensions are in mm
2. * Reference dimension
3. ARP - Antenna Reference Point
SHMP - Slant Height Measurement Point
NOM - North Orientation Mark

Specifications

LED INDICATION

Function	Green	Yellow	Red	OFF
BATTERY ¹	Full	Half	Almost Empty	OFF/No power
BLUETOOTH	Connected	Searching	No connection	Not Active
MODEM	Connected	Marginal Connectivity	No connection	Not Active
SATELLITES ²	8 or more	5 to 7	Less than 5	No Satellite
POSITION	Fixed/Diff/ OK (Base)	Float/No-Diff	No Position	Receiver OFF
RECORDING ³	Recording	Less than 10 min memory left	Memory Full	Not Active

1. LED solid according to the battery means receiver is ON without external power. Blinking every 1 sec according to the battery means external power is connected.
2. Effective number of satellites are total number of satellites tracked minus the number of non-GPS systems tracked. For example if 8 GPS and 5 GLONASS are tracked the effective number of satellites is 12.
3. RECORDING LED blinks on each recording.

MINPAD AND PORTS

TRIUMPH-1M is very simple to operate. Turn it on and six green lights, one after the other, glow to tell you that all is going well.

The ON/OFF button turns the receiver on and off.

FN button starts/stops data recording. Holding both FN and ON/OFF buttons down for more than 30 seconds will reset the receiver. Holding FN down while turning receiver ON using ON/OFF button (or after resetting receiver) until four LEDs start to blink yellow and then releasing FN button while four LEDs still blink yellow will bring receiver to its initial factory-default state (i.e., will clear NVRAM).

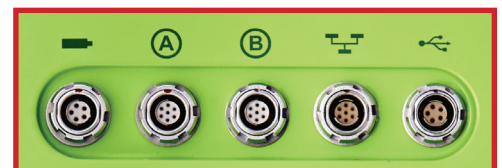


Power – used to connect the receiver to an external power source.

Serial – used for communication between the receiver and an external device.

Ethernet - used to connect the receiver to local network.

USB – used for high-speed data transfer and communication between the receiver and an external device.



PHYSICAL SPECIFICATIONS

Dimensions	7 x 3.78 x 7 in (178 x 96 x 178 mm)
Weight	3.75 lbs (1.7 kg)/4.02 lbs (1.82 kg) with modem antenna

ENVIRONMENTAL SPECIFICATIONS

Enclosure	Molded magnesium alloy and plastic, waterproof IP67
Operating /Storage Temperature	-30° C to +55° / -20° C to +45° C

For complete technical specifications, please refer to the TRIUMPH-1M Data Sheet available from www.javad.com.

Battery information

NOTE: Risk of explosion if battery is replaced by an incorrect type. Dispose of used battery according to the instructions.

CAUTION: RISK OF EXPLOSION IF BATTERY IS REPLACED BY AN INCORRECT TYPE. DISPOSE OF USED BATTERIES ACCORDING TO THE INSTRUCTIONS

CAUTION: Never attempt to open the casing of the detachable batteries! Lithium-Ion batteries can be dangerous if mishandled!

CAUTION: Do not incinerate or heat battery pack above 212 degrees Fahrenheit (100 degrees Celsius). Excessive heat can cause serious damage and possible explosion.

CAUTION: The batteries (or batteries installed) shall not be exposed to excessive heat such as sunshine, fire or the like.

CHARGE THE BATTERY

Before beginning to work, fully charge the batteries for maximum operating time. An approximately 6-hour charge cycle will fully charge the batteries; the batteries will charge simultaneously. The batteries can not be overcharged.

Inserting a SIM/ memory card

NOTE: Before inserting (or removing) a SIM/memory card from the slot, ensure that the receiver is off.

CAUTION: Do not insert the SIM/memory card upside down or back to front. Inserting the card incorrectly could damage the receiver and/or the memory card.



1. Open the SIM/memory card slot cover.
2. Slide the SIM/memory card into the card slot until it clicks into the locked position.
3. Close the SIM/memory card slot cover.



900 Rock Avenue, San Jose,
CA 95131, USA

Phone: +1(408)770-1770

Fax : +1(408)770-1799

www.javad.com

All rights reserved © JAVAD GNSS, Inc., 2019