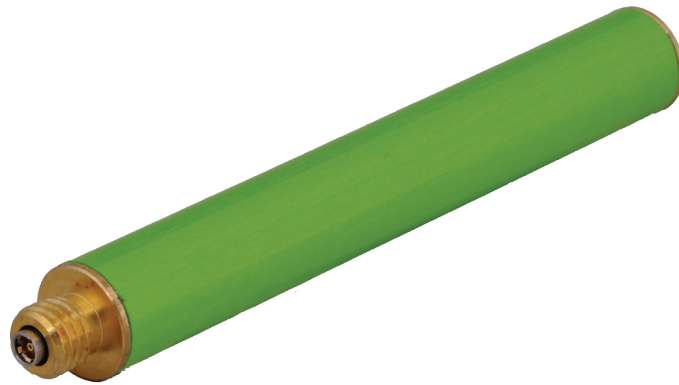




TRIUMPH-1M UHF/CELLULAR ANTENNA

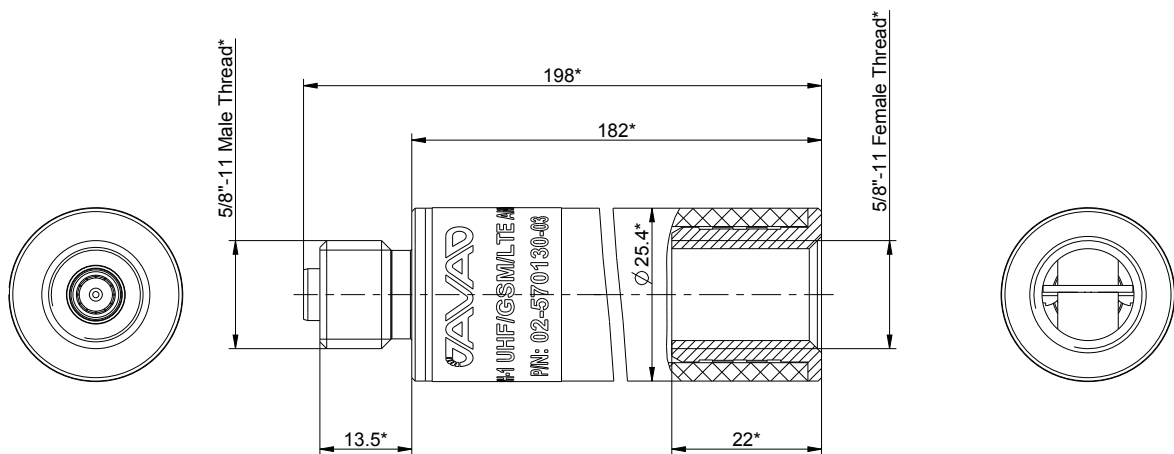


A broadband, rugged, in-building or outdoor antenna designed to service the whole 406-470 MHz UHF band and GSM quad band. With modest dimensions of 25 mm (OD) x 182 mm (height), this antenna radiates with a typical peak omnidirectional gain of +3 dBi. Internally, the radiating element is DC shunted to help protect the transceiver ElectroStatic Discharge (ESD).

The TRIUMPH-1M UHF/Cellular antenna can be mounted on standard poles (5/8-11 inches thread). Attached to the TRIUMPH-1M receiver this antenna gets a part of survey pole, making handling with receiver easy and simple.

TRIUMPH-1M ANTENNA

Signal	
Capability	UHF radio, ISM radio LTE, HSPA+, HSDPA, HSUPA, WCDMA, GSM, GPRS, EDGE
Frequency, MHz	406~470 791~960 1710~2690
Electrical	
Antenna Gain, dB (typ.)	3.0
Output Impedance, Ohm	50
VSWR	2:1 (UHF radio) 2.5:1... 3:1 (LTE)
Environmental	
Operating Temperature, °C	-45 ~ +85
Storage Temperature, °C	-50 ~ +85
Mechanical	
Antenna type	1/4 Wave
Connector	BMA
Weight, g	160
Dimensions, mm	Outline: Ø25.4; h=198 Pole Length: 182
Enclosure	JAVAD GNSS Green
Mounting	5/8 – 11 Male X 5/8 – 11 Female



* All dimensions are in mm

Specifications are subject to change without notice



JAVAD GNSS
www.javad.com
 Rev. 1.2. March 28, 2018

