



GrAnt-G3T-L/LC

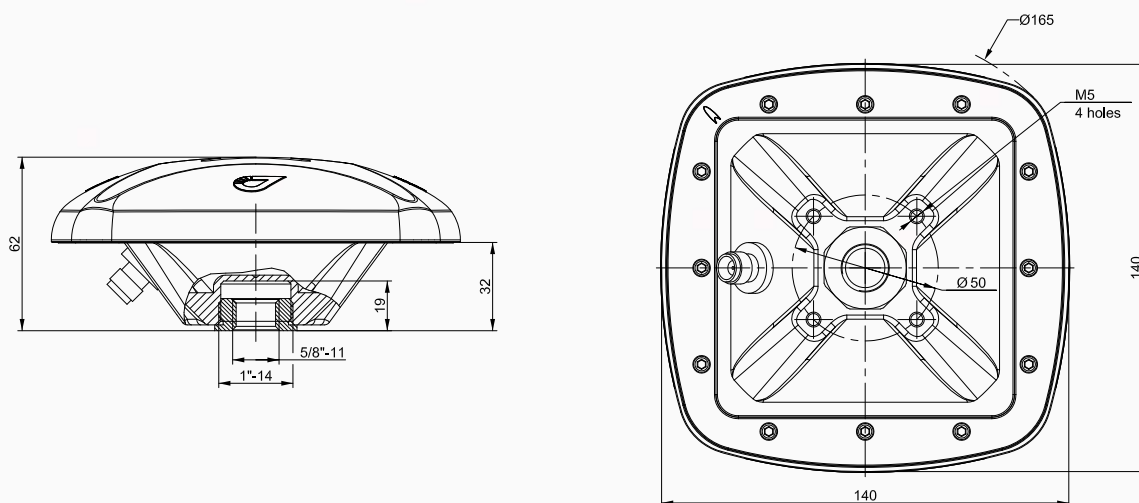
GrAnt-G3T-L/LC is a versatile high performance antenna. It can be mounted on flat surfaces with four screws or mounted on standard poles (5/8-11 or 1-14 inches thread). The antenna cable can be connected via the standard TNC (N-type optional) connector on its side or routed through the center of the antenna for ultimate protection in harsh environments.

GrAnt-G3T-L/LC can track GPS, GLONASS, GALILEO, COMPASS, WAAS, EGNOS, MSAS, GAGAN and QZSS signals.

GrAnt-G3T-L and GrAnt-G3T-LC are compatible with LightSquared.

GRANT-G3T-L/LC

Signal	
Capability	GPS L1/L2/L5 GLONASS L1/L2/L3 GALILEO E1/E5ab COMPASS B1/B2 WAAS L1/L5, EGNOS, MSAS, GAGAN QZSS L1/L2/L5
Frequency	1559~1610 MHz 1164~1253 MHz
Electrical	
Antenna Gain	1559~1610 MHz - 5.0 dB typ. 1164~1253 MHz - 4.0 dB typ.
Axial Ratio	3.0 dB max.
Output Impedance	50 Ohm
LNA gain	1559~1610 MHz - 32+3 dB 1164~1253 MHz - 32+2 dB
Noise Figure	1559~1610 MHz - 2.2 dB typ. 1164~1253 MHz - 1.7 dB typ.
DC voltage	3.0~15.0VDC 45mA@5.0V typ..
Environmental	
Operating Temperature	-45°C ~ +85°C
Storage Temperature	-50°C ~ +85°C
Humidity	Waterproof
Mechanical	
Antenna type	Microstrip
Connector	TNC
Weight	520 g
Dimensions	140 mm x 140 mm x 62 mm
Enclosure	Radome: ABS Base: Aluminum
Color	Green
Mounting	5/8-11 or 1-14 inches mount, or 4 holes M5



Specifications are subject to change without notice.



JAVAD GNSS
www.javad.com
 Rev. 1.0 December 23, 2011

